

DATA SHEET SLIDE XENA

Text for invitation to tender | Item No: 513537601



MATERIALS | SCOPE OF SUPPLY

Slide, nearly pre-mounted

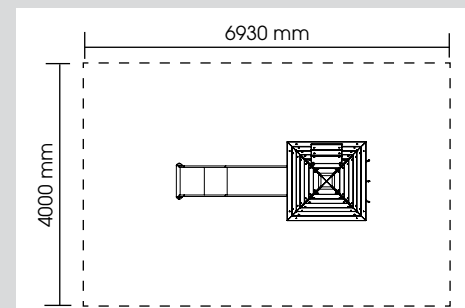
Tubular frame:	Stainless steel, V2A
Wendy house:	Robinia, 1 piece
Slide:	Stainless steel, V2A
Climbing net:	Herkules rope/plastic, 1 piece
Slide caps:	plastic, 2 pieces
Foundation plates:	steel, coated

TECHNICAL INFORMATION

Dimensions:

Main dimension:	3400 x 1400 mm
Height:	3260 mm
Weight:	380 kg
Capacity:	acc. to normative requirements
Dimension largest piece:	1400 x 1400 x 1930 mm
Heaviest piece:	220 kg

Max. fall height:	1500 mm
Impact area:	27,72 m ²
Required safety slabs:	28,00 m ²
Required lawn grating:	28,00 m ²
Recommended surface material:	sand, wood chip, gravel, synth. impact protection



INSTALLATION

Foundations: 2
Modified installation depth possible
(special edition)

Installation according to our detailed mounting
instructions, see www.stilum.com

Please note the material information in the mounting- and maintenance instruction.

