

# DATA SHEET HORIZONTAL BAR SUPRA 2

Text for invitation to tender | Item No: 55 1515 401



## MATERIALS | SCOPE OF SUPPLY

Play equipment, pre-mounted completely

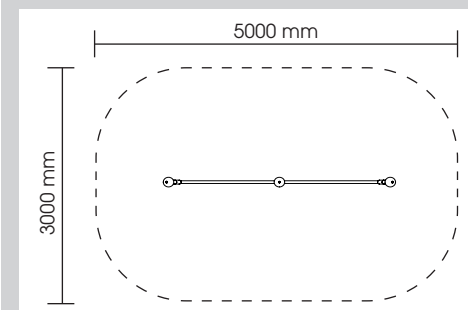
Tubular frame:	stainless steel, V2A
Tube end caps:	balls made of EPDM caoutchouc, 3 pieces
Foundation plate:	steel, coated

## TECHNICAL INFORMATION

Dimensions:

Main dimension:	2660 x 120 mm
Height:	1860 mm
Weight:	58 kg
Capacity:	acc. to normative requirements
Dimension largest piece:	2660 x 300 x 2010 mm
Heaviest piece:	58 kg

Max. fall height:	1400 mm
Impact area:	13,32 m <sup>2</sup>
Required safety slabs:	15,00 m <sup>2</sup>
Required lawn grating:	15,00 m <sup>2</sup>
Recommended surface material:	synth. impact protection



## INSTALLATION

Foundations: 3

Installation according to our detailed mounting instructions, see [www.stilum.com](http://www.stilum.com)

