

DATA SHEET SLIDE QUINA 2

Text for invitation to tender | Item No: 513533601



MATERIALS | SCOPE OF SUPPLY

Slide, nearly pre-mounted

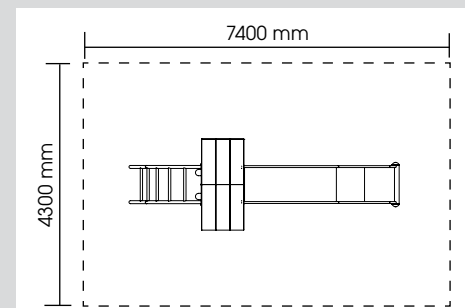
Tubular frame:	stainless steel, V2A
Wendy house:	robinia, 1 piece
Slide:	stainless steel, V2A
Ladder:	stainless steel, V2A
Slide caps:	plastic, 2 pieces
Foundation plates:	steel, coated

TECHNICAL INFORMATION

Dimensions:

Main dimension:	3830 x 1300 mm
Height:	2650 mm
Weight:	277 kg
Capacity:	acc. to normative requirements
Dimension largest piece:	2260 x 650 x 2100 mm
Heaviest piece:	100 kg

Max. fall height:	1500 mm
Impact area:	31,82 m ²
Required safety slabs:	33,75 m ²
Required lawn grating:	40,00 m ²
Recommended surface material:	sand, wood chip, gravel, synth. impact protection



INSTALLATION

Foundations: 3

Modified installation depth possible (special edition)

Installation according to our detailed mounting instructions, see www.stilum.com

Please note the material information in the mounting- and maintenance instruction.

