

Mounting instructions for slackline „lixus“ triangle

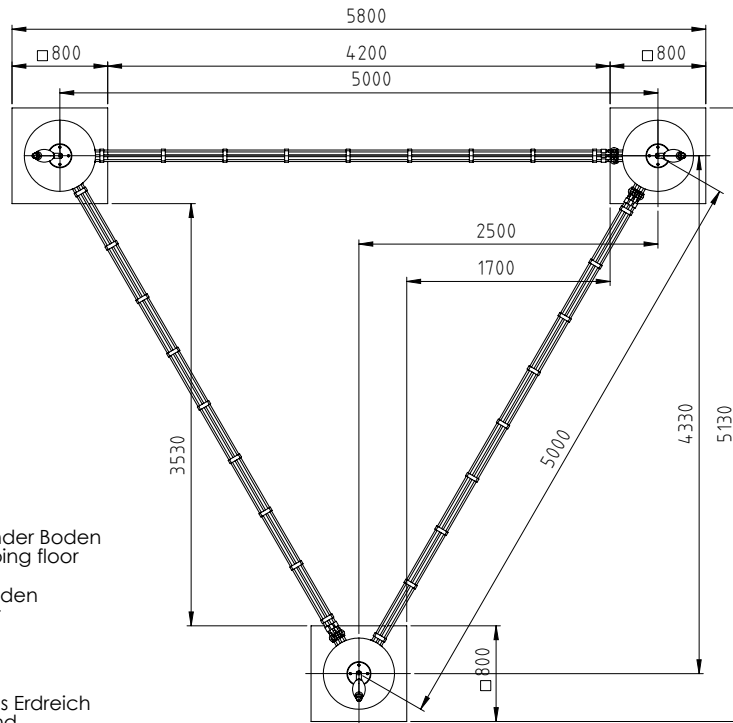
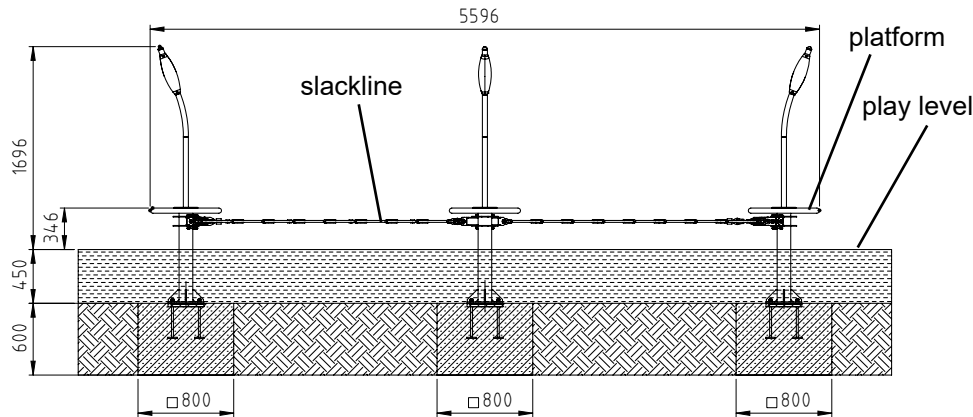
Item No. 51 6510 404



Diagram 1: Overall view of the play equipment

Mounting instructions for slackline „lixus“ triangle

Item No. 51 6510 404



Legende

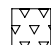

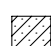

-  stoßdämpfender Boden
shock-absorbing floor
-  beliebiger Boden
optional floor
-  Beton
concrete
-  gewachsenes Erdreich
natural ground

Diagram 2: Foundation plan

IMPORTANT: The distance dimensions must be kept exactly!

1. Select the location of the play equipment taking into account the required minimum space (see diagram 4).
2. Carry out excavation work for the foundations as shown in diagram 2. After excavation compress the foundation floor.
Note: The slackline is installed at play level. Pay attention to items marked „play level“ at play equipment!
3. Set up the concrete foundations according to diagram 2 with central, horizontal reinforcement. Pour the supplied foundation anchors in the foundation so that the upper angle frame is horizontal and flush with the foundation surface.

Reinforcement plan: Concrete foundation with reinforcement

Main foundation: BSt 500S

Stirrups Ø 8 mm lengthwise and cross

Concrete cover $h' = 3$ cm

Concrete quality class C25/30

4. After a setting period of 10 – 14 days, depending on weather conditions and foundation size, fill up and compress the holes between the foundation and the foundation hole with excavation.
5. Clean the foundation surface and place the platforms of the play equipment on the foundation anchors and screw it down.
6. Fasten the ropes of each slackline on the fixed side of the platform and lock it with the nuts included in the delivery (acc. to diagram 3a).
7. Attach the other end of the ropes at the clamping device acc. to diagram 3b. Tension the ropes to a distance of 80 mm.

Mounting instructions for slackline „lixus“ triangle

Item No. 51 6510 404

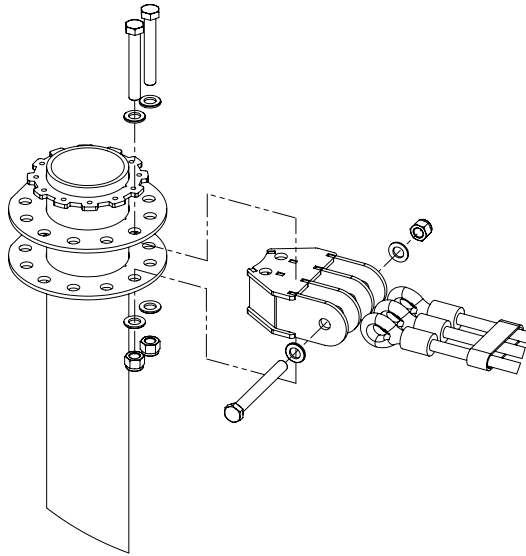


Diagram 3a: connection part fixed side

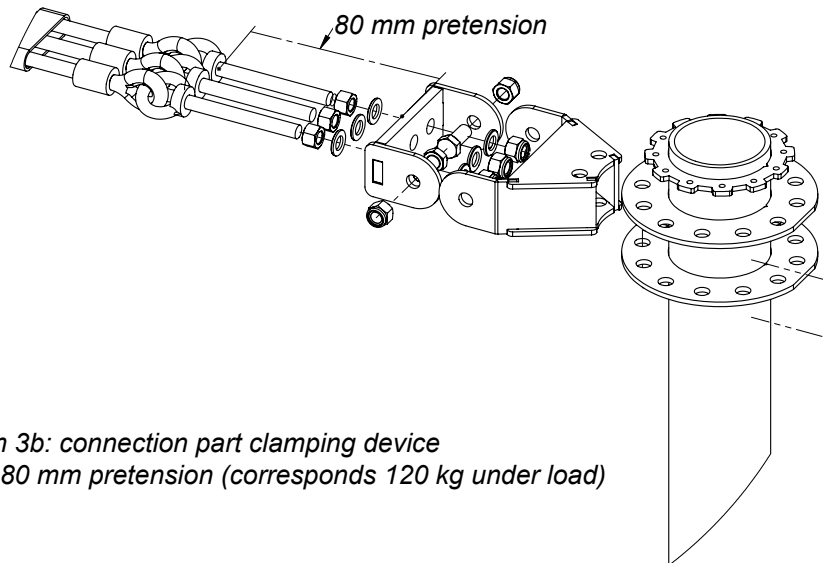


Diagram 3b: connection part clamping device
Exactly 80 mm pretension (corresponds 120 kg under load)

Attention: The pre-mounted screws at the sides of the swivel appliance should not be fixed completely. It is necessary that it still can move!

Critical drop height: 350 mm

Recommended surface material: optional

The impact area must be free of any sharp-edged or dangerously protruding parts.

8. Do not allow children to use the equipment before the installation has been finished.
9. During the first days of usage, it is possible that the rope elongates. A few days after the first use, check the ropes and if necessary re-stress the rope.
Note: We suggest to elongate the rope during winter with month below freezing point to prevent extra burdens to the foundations and the platforms.

Maximum load: 3x60 kg

Attention: If the play equipment has been incompletely installed or partly dismantled when carrying out maintenance and repair work, this may lead to particular risks of injury for the user. For this reason, make clearly visible that the equipment shall not be used in such cases.

NOTE: Play equipment, which contain components made of stainless steel should not come with „normal“ steel parts in contact. Those steel parts may rub off and leave small steel particles in combination with moisture brown rust stains. If such corrosion occur on stainless steel parts, they are fine with an abrasive (240 grit) to remove. Please take care when transporting and setting up the fact that the components are made of stainless steel with no „normal“ steel parts in contact.

Mounting instructions for slackline „lixus“ triangle

Item No. 51 6510 404

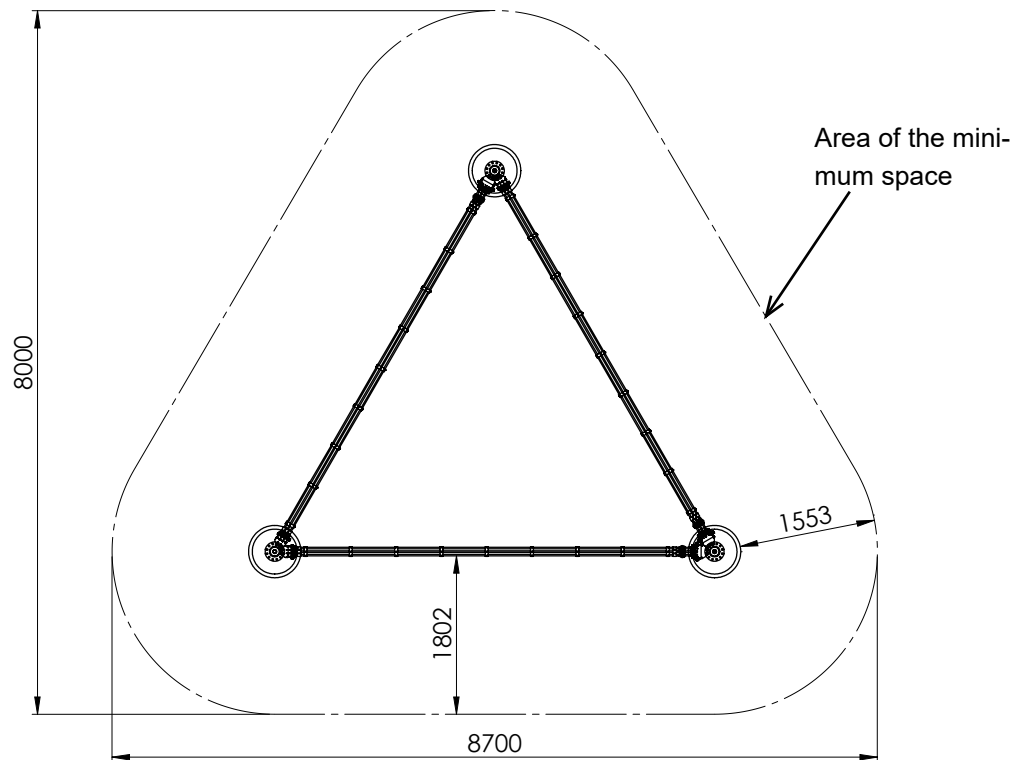


Diagram 4: Top view

In order to preserve a good visual appearance of your stilum playground equipment over a long period one should take care of maintenance of the stainless surface even despite of their corrosion resistance.

Especially areas, which can not be reached by rainfall should be frequently cleaned from dirt and deposits due to air pollution and dirt caused by the atmosphere.

Light soiling can easily be removed by using a high pressure cleaner.

For persistent deposits use a clean cloth moistened with a special liquid cleaner (e.g. on phosphoric acid) and rinse off with clear water after a short application time. During cleaning with mild abrasive components, only wipe over stainless steel surface in polishing direction.

For heavily soiled surfaces, polishes can be used (e.g. for cleaning chrome on cars) or for greasy and oily dirt alcoholic cleaning agents and solvents (e.g. ethyl alcohol, isopropyl alcohol or acetone).

However, it should be noted that the dissolved soiling is not spread over the surface again.

Do not use any chlorid or hydrochloric containing cleaning products nor scouring powder, bleaching - or silver polish cleaner. Cleaning intervals depend on type and degree of soiling as well as on demands made on optical characteristics. Therefore cleaning is advisable at intervals of six to twelve months – whereby in the case of strong soiling it is appropriate to clean the playground equipment at intervals of three to six months.