

Mounting instructions for multiplay „gravis 3“

Item-No. 51 5519 431

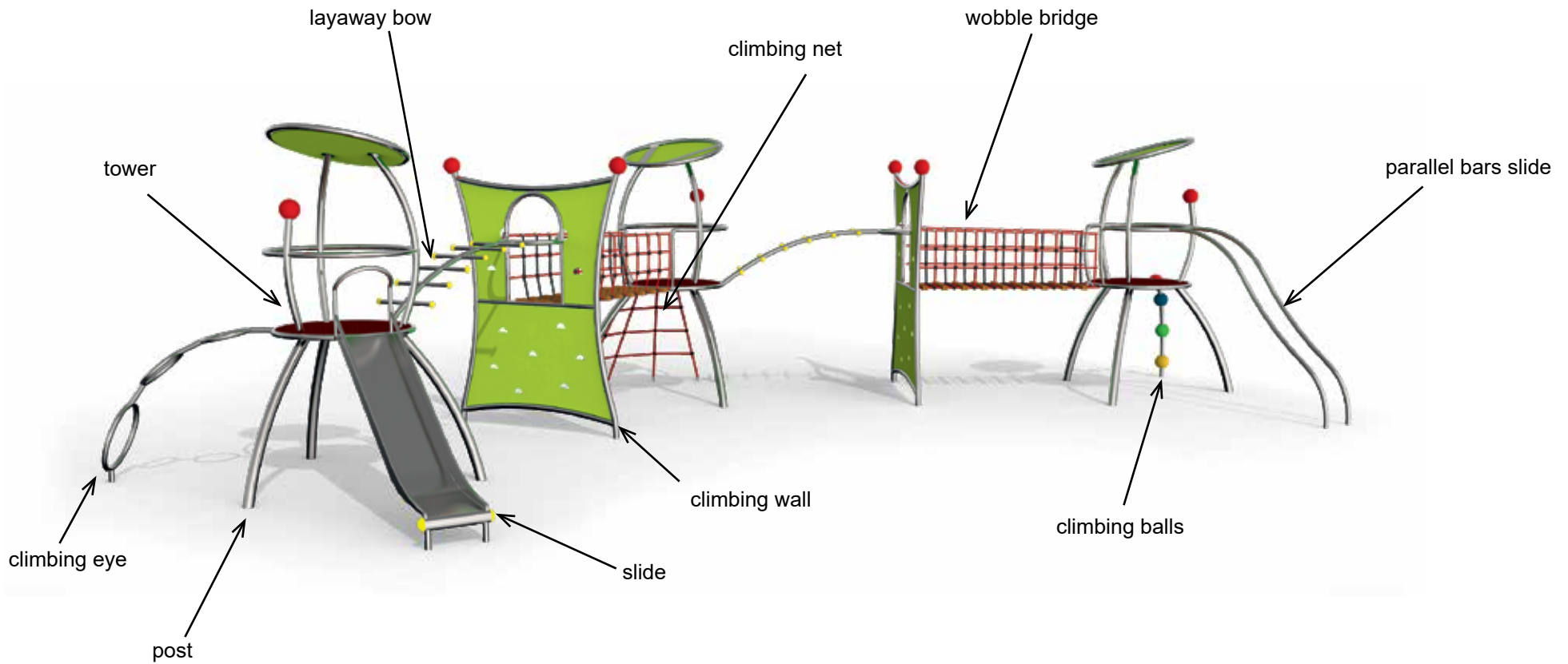


Diagram 1: Overall view of the play equipment

Mounting instructions for multiplay „gravis 3“

Item-No. 51 5519 431

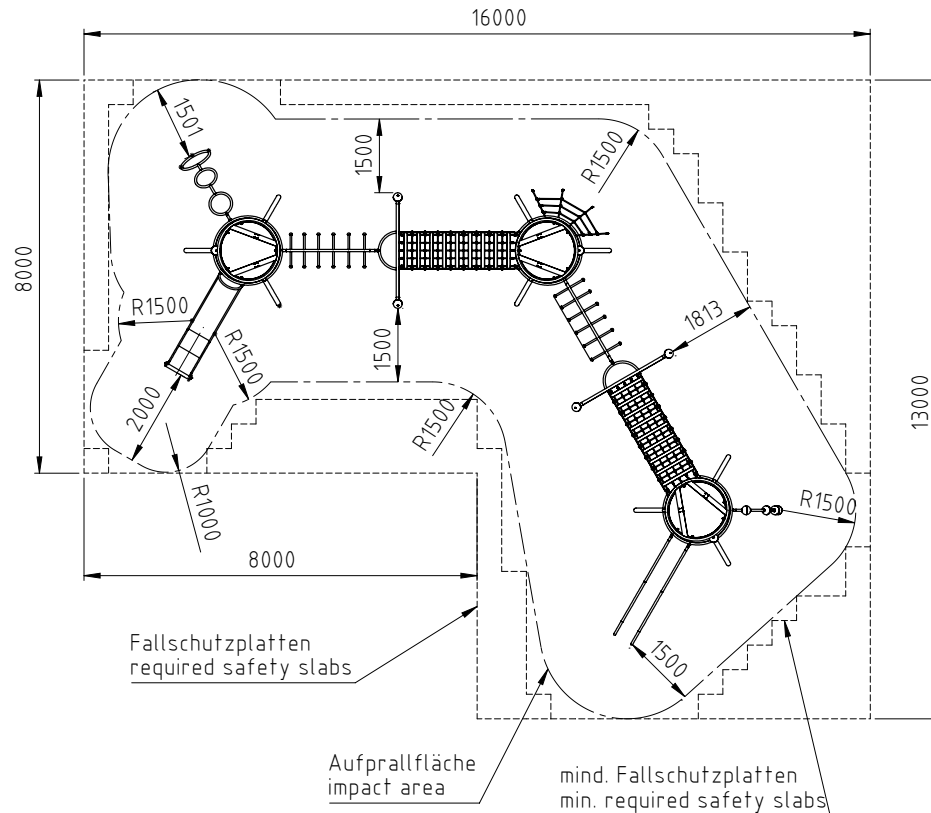


Diagram 2: Top view

1. Select the location of the play equipment taking into account the required minimum space (see diagram 2).
Note: Due to possible overheating, do not place the slide surface southerly.
2. The impact area of a playground equipment with an enforced movement is not allowed to overlap the impact area of other equipment.
According to DIN EN 1176-1, 4.2.8.5.2 shock-absorbing floors must be made on the entire impact area of every equipment that cause forced movement.
3. Carry out excavation work for foundations as shown in diagram 3a and 3b. After excavation compress the foundation floor.
Note: The play equipment is installed at play level.
Pay attention to items marked „play level“ at play equipment!
4. Set up the foundations acc. to diagram 3a and 3b with central, horizontal reinforcement.

Reinforcement plan:

Concrete foundation with reinforcement

Foundation: BSt 500S

Stirrups \varnothing 8 mm lengthwise and cross

Concrete cover $h' = 3$ cm

Concrete quality class C 25/30

5. After a setting period of 10 – 14 days, depending on weather conditions and foundation size, fill up and compress the holes between the foundation and the foundation hole with excavation.

Mounting instructions for multiplay „gravis 3“

Item-No. 51 5519 431

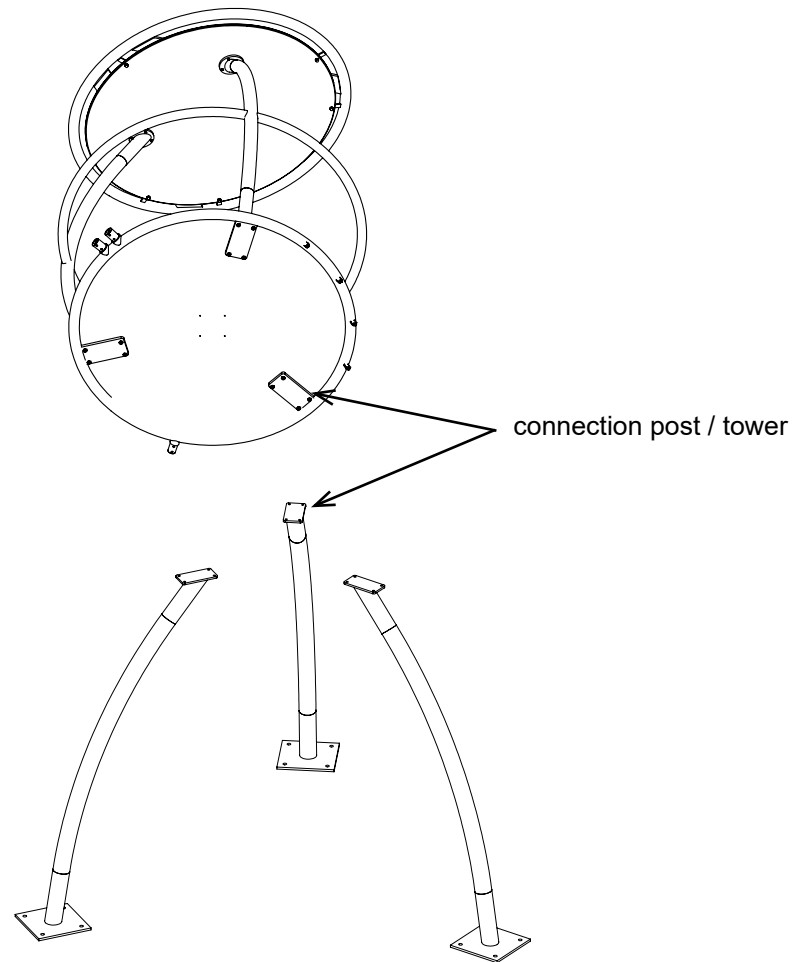


Diagram 4: Platform

6. Clean the foundation surface. Connect the platform to the posts acc. to diagram 1 and 4. Please fasten the parts using the screws including in the delivery.
7. Place the towers as shown in diagram 1 and 3a on the foundations and do a rough aligning. The connections of each wobble bridge and layaway bow should be face to face.
Note: Do not screw the base plates onto the foundations yet!
8. Place the climbing walls as shown in diagram 1, 2 and 3a, 3b in the middle between two towers.
Attention: Safe the climbing walls during the whole construction of the multiplay equipment against overturning.
9. Connect the layaway bows each with the tower and the climbing wall at the intended locations acc. to the diagram 1, 2, 5c and 6b and fasten them using the screws including in the delivery.
10. Mount the wobble bridges with the tower and the climbing walls at the intended locations acc. to the diagram 1, 2, 5e and 6c. Please fasten the parts using the shackles including in the delivery.
11. Connect the slide (diagram 5b) with the tower at the intended locations using the screws included in the delivery (see diagram 6a).
12. Connect the climbing balls (diagram 5f) and the parallel bars slide (diagram 5g) and the climbing eye (diagram 5d) with the tower at the intended locations acc. to diagram 1 and 6b in the same way as the layaway bow. Please fasten the parts using the screws including in the delivery.
Note: Take a look at the alignment of the two elements acc. to diagram 1 and 2 to ensure the correct minimum space.

Mounting instructions for multiplay „gravis 3“

Item-No. 51 5519 431

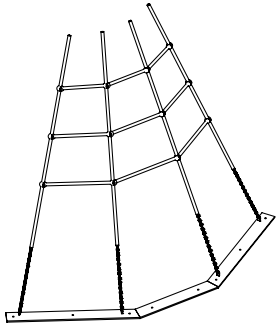


Diagram 5a: Attachment part climbing net

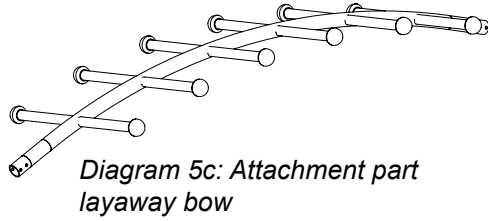


Diagram 5c: Attachment part layaway bow

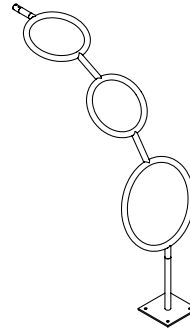


Diagram 5d: Attachment part climbing eye

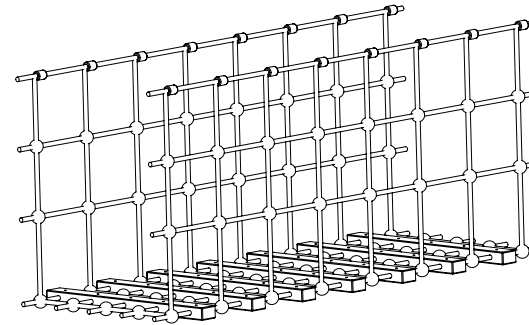


Diagram 5e: Attachment part wobble bridge

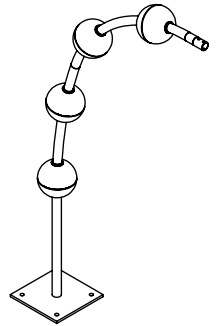


Diagram 5f: Attachment part climbing balls

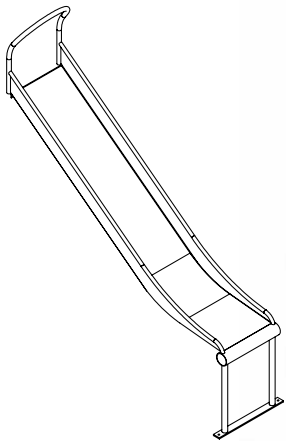


Diagram 5b: Attachment part slide



Diagram 5g: Attachment part parallel bars slide



Mounting instructions for multiplay „gravis 3“



Item-No. 51 5519 431



Diagram 6a: Attachment part slide

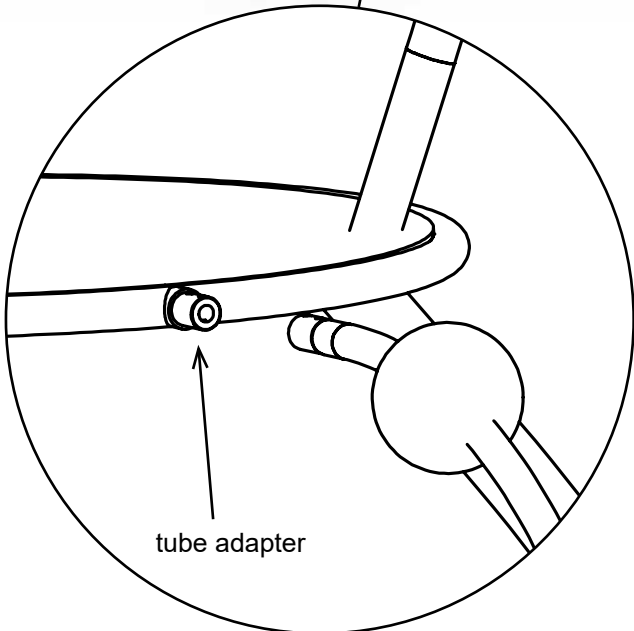


Diagram 6b: Attachment parts climbing eye, layaway bow, climbing balls, parallel bars slide

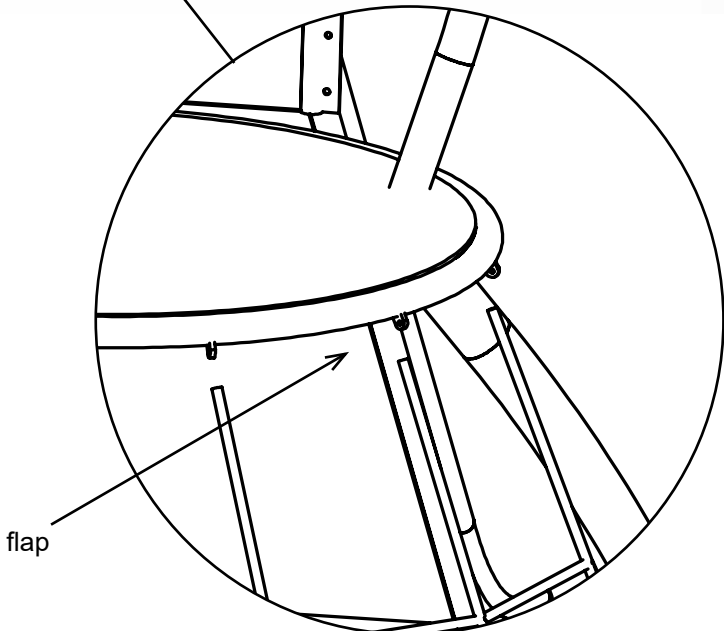


Diagram 6c: Attachment parts climbing net, wobble bridge

Mounting instructions for multiplay „gravis 3“

Item-No. 51 5519 431



13. Place the base plate of the climbing net onto the foundation and connect the climbing net (diagram 5a) with the tower at the intended locations acc. to diagram 1 and 6c. Please fasten the parts using the shackles included in the delivery.
14. Align the play equipment once more on the foundations, so that the wobble bridges do not sag too much.
Note: The climbing net should be placed with tension to avoid droop.
15. Drill holes into all foundations and screw the play equipment to the foundations using the included heavy-duty dowels.
16. Cover the entire impact area with fall protection according to the required drop height in accordance with EN 1176-1.
Critical drop height: max. 2200 mm
Recommended surface material: sand, wood chips, gravel, synth. impact protection.
17. Do not allow children to use the equipment before the installation has been finished.

Attention: If the play equipment has been incompletely installed or partly dismantled when carrying out maintenance and repair work, this may lead to particular risks of injury for the user. For this reason, make clearly visible that the equipment shall not be used in such cases.

NOTE: Play equipment, which contain components made of stainless steel should not come with „normal“ steel parts in contact. Those steel parts may rub off and leave small steel particles in combination with moisture brown rust stains. If such corrosion occur on stainless steel parts, they are fine to remove with an abrasive (240 grit).

Please take care when transporting and setting up the fact that the components are made of stainless steel with no „normal“ steel parts in contact.

In order to preserve a good visual appearance of your stilum playground equipment over a long period one should take care of maintenance of the stainless surface even despite of their corrosion resistance.

Especially areas, which can not be reached by rainfall, should be frequently cleaned from dirt and deposits due to air pollution and dirt caused by the atmosphere. Light soiling can easily be removed by using a high pressure cleaner.

For persistent deposits use a clean cloth moistened with a special liquid cleaner (e.g. on phosphoric acid) and rinse off with clear water after a short application time. During cleaning with mild abrasive components, only wipe over stainless steel surface in polishing direction.

For heavily soiled surfaces, polishes can be used (e.g. for cleaning chrome on cars) or for greasy and oily dirt alcoholic cleaning agents and solvents (e.g. ethyl alcohol, isopropyl alcohol or acetone). However, it should be noted that the dissolved soiling is not spread over the surface again.

Do not use any chloride or hydrochloric containing cleaning products nor scouring powder, bleaching - or silver polish cleaner.

Cleaning intervals depend on type and degree of soiling as well as on demands made on optical characteristics. Therefore cleaning is advisable at intervals of six to twelve months – whereby in the case of strong soiling it is appropriate to clean the playground equipment at intervals of three to six months.