

DATA SHEET BALANCE BEAM DRACO

Text for invitation to tender | Item No: 514510601



MATERIALS | SCOPE OF SUPPLY

Moving balance beam, pre-mounted completely

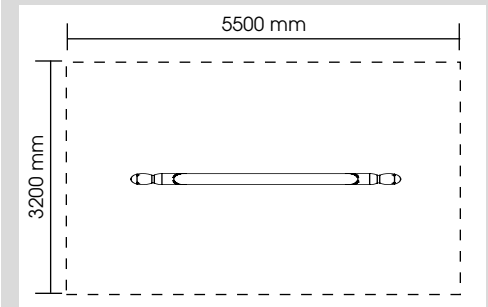
Basic frame:	stainless steel, V2A
Play plate:	robinia
Eyes:	plastic, 4 pieces
Spring:	torsion spring made of steel with rubber core, 2 pieces

TECHNICAL INFORMATION

Dimensions:

Main dimension:	2500 x 200 mm
Height:	350 mm
Weight:	51 kg
Capacity:	acc. to normative requirements
Dimension largest piece:	2500 x 200 x 350 mm
Heaviest piece:	51 kg

Max. fall height:	350 mm
Impact area:	17,60 m ²
Required safety slabs:	19,25 m ²
Required lawn grating:	24,00 m ²
Surface material:	concrete surfaces, synth. impact protection The ground should be smooth and free of edges.



INSTALLATION

Foundations: 2

Installation according to our detailed mounting instructions, see www.stilum.com

Please note the material information in the mounting- and maintenance instruction.

