

Mounting instructions for „Calisthenics“ robinia

Item-No. 55 1520 602

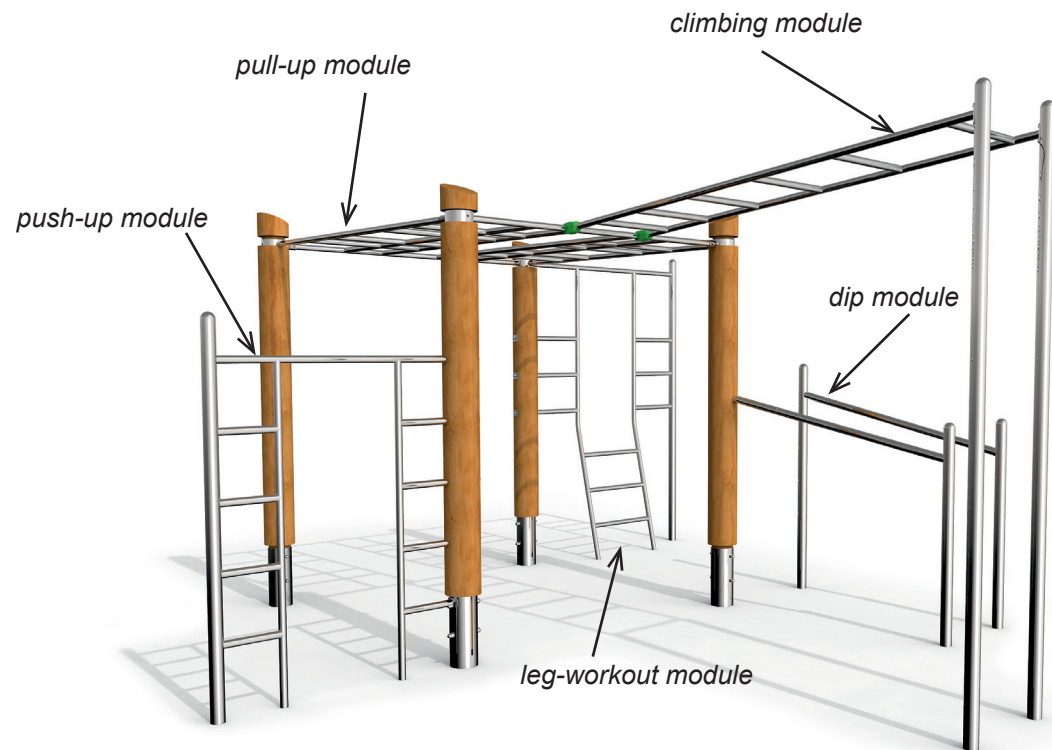
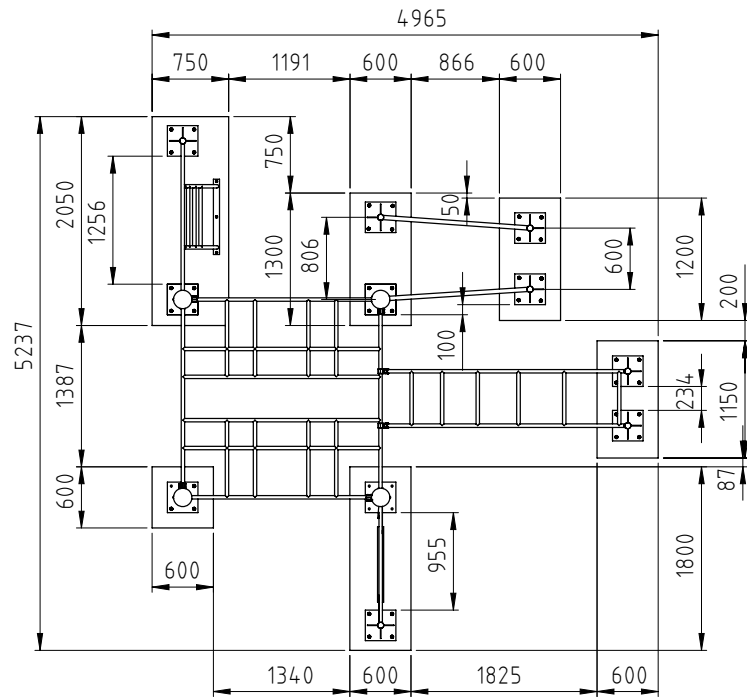
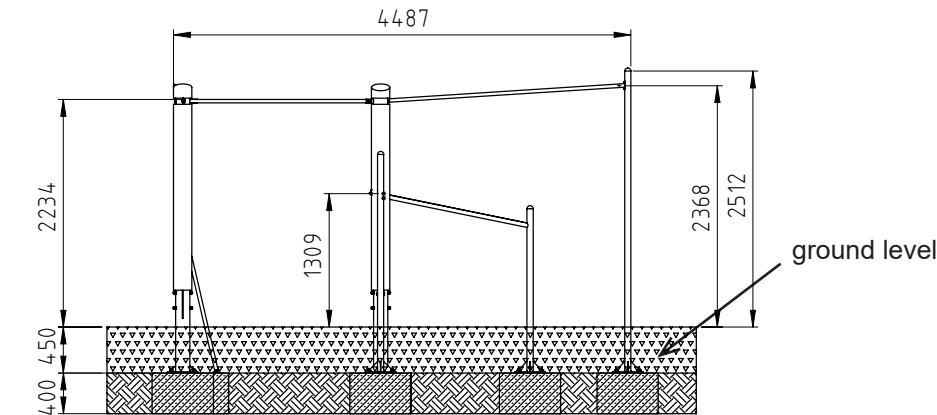


Diagram 1: Overall view of the fitness equipment

Mounting instructions for „Calisthenics“ robinia

Item-No. 55 1520 602



Legende




-  stoßdämpfender Boden
shock-absorbing floor
-  Beton
concrete
-  gewachsenes Erdreich
natural ground

Diagram 2: Foundation plan

1. Select the fitness equipment location in consideration of the required movement area (see diagram 4).
2. Select the position of the instruction sheet.
Attention: Because of the risk of injury, the instruction sheet has to be arranged outside of the movement area.
3. Carry out excavation work for the foundations as shown in diagram 2. After excavation compress the foundation floor.
Note: Pay attention to items marked „ground level“ at the equipment!
4. Carry out excavation work for the instruction sheet foundations as shown in diagram 5. After excavation compress the foundation floor.
5. Set up the concrete foundations according to diagram 2 and 5 with central, horizontal reinforcement.

Reinforcement plan: Concrete foundation with reinforcement

Foundation: BSt 500S

Stirrups \varnothing 8 mm lengthwise and cross

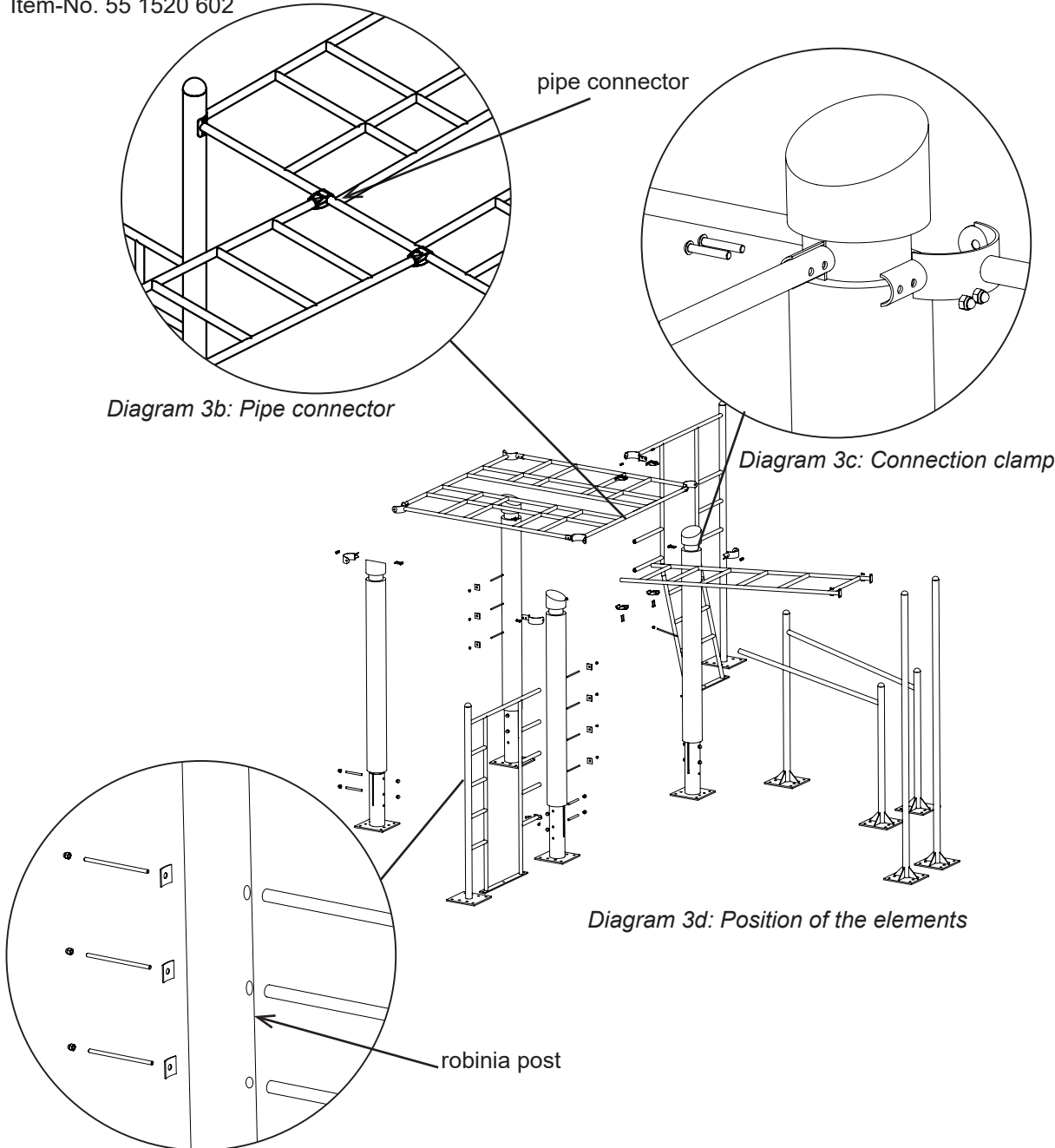
Concrete cover $h' = 3$ cm

Concrete quality class C20/25

6. After a setting period of 10 – 14 days, depending on weather conditions and foundation size, fill up and compress the holes between the foundation and the foundation hole with excavation. Clean the foundation surface.
7. Screw the four posts with the pull-up module to the clamps (diagram 3c). Pay attention to the exact installation according to diagram 1, 2 and 3d.
Note: Do not screw the base plates onto the foundations yet!

Mounting instructions for „Calisthenics“ robinia

Item-No. 55 1520 602



8. Connect the leg-workout module, the push-up module and the dip-module with the lugs, thread rod and cap nuts at the posts acc. to diagram 3a.
9. Position the freestanding dip module on the foundation acc. to diagram 2.
10. Screw the hanging module to the two stainless steel posts - use delivered copper paste and fix it to the pull-up module with the pipe connectors (diagram 3b).
Make sure that the pipe is inserted into the pipe connector until it stops.
11. Align the fitness equipment again and screw the base plates to the foundations using the heavy-duty dowels included in the delivery.
12. Place the instruction sheet as well onto the foundations and fix it with the included heavy-duty dowels.
NOTE: We suggest to align the instruction sheet in such a way that the instructions can be read while using the fitness equipment.
13. Cover the entire movement area with fall protection according to the required drop height in accordance with EN 16630.
Critical drop height: 1350 mm
Recommended surface material: sand, wood chips, gravel, synth. impact protection.
Grass is not allowed.
With a smaller installation depth (special edition) we recommend synthetic impact protection. In this case, make sure that protruding parts (e.g. screws, gusset plates) are covered with appropriate fall protection.
14. Do not allow to use the equipment before the installation has been finished.

Attention: If the fitness equipment has been incompletely installed or partly dismantled when carrying out maintenance and repair work, this may lead to particular risks of injury for the user. For this reason, make clearly visible that the equipment shall not be used in such cases.

Diagram 3a: Connection of the push-up module

Mounting instructions for „Calisthenics“ robinia

Item-No. 55 1520 602

STAINLESS STEEL

NOTE: Fitness equipment, which contain components made of stainless steel should not come with „normal“ steel parts in contact. Those steel parts may rub off and leave small steel particles in combination with moisture brown rust stains.

MAINTENANCE: If such corrosion occur on stainless steel parts, they are fine to remove with an abrasive (240 grit). Please take care when transporting and setting up the fact that the components are made of stainless steel with no „normal“ steel parts in contact. In order to preserve a good visual appearance of your stilum fitness equipment over a long period one should take care of maintenance of the stainless surface even despite of their corrosion resistance.

Especially areas, which can not be reached by rainfall should be frequently cleaned from dirt and deposits due to air pollution and dirt caused by the atmosphere.

Light soiling can easily be removed by using a high pressure cleaner. For persistent deposits use a clean cloth moistened with a special liquid cleaner (e.g. on phosphoric acid) and rinse off with clear water after a short application time. During cleaning with mild abrasive components, only wipe over stainless steel surface in polishing direction. For heavily soiled surfaces, polishes can be used (e.g. for cleaning chrome on cars) or for greasy and oily dirt alcoholic cleaning agents and solvents (e.g. ethyl alcohol, isopropyl alcohol or acetone).

However, it should be noted that the dissolved soiling is not spread over the surface again.

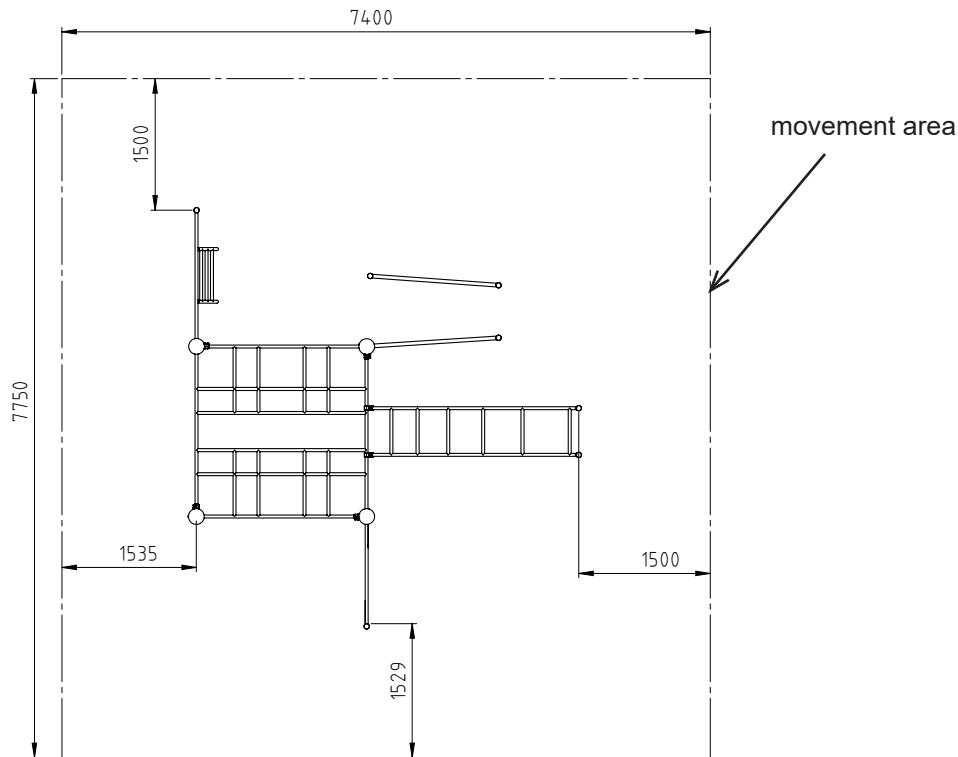
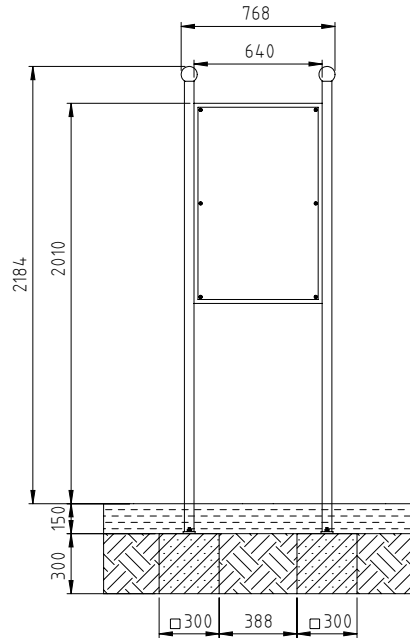


Diagram 4: Top view

Mounting instructions for „Calisthenics“ robinia

Item-No. 55 1520 602



Legende

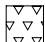
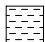


-  stoßdämpfender Boden
shock-absorbing floor
-  beliebiger Boden
optional floor
-  Beton
concrete
-  gewachsenes Erdreich
natural ground

Diagram 5: Foundation plan of the instruction sheet

Do not use any chlorid or hydrochloric containing cleaning products nor scouring powder, bleaching - or silver polish cleaner. Cleaning intervals depend on type and degree of soiling as well as on demands made on optical characteristics. Therefore cleaning is advisable at intervals of six to twelve months – whereby in the case of strong soiling it is appropriate to clean the fitness equipment at intervals of three to six months.

WOOD

NOTE: For all fitness equipment with wooden elements, it cannot be ruled out that dry cracks may develop. These natural changes of wood are dependent on climate conditions as well as on the age and usage of the fitness equipment. Longer dry periods may lead to more dry cracks. This development, however, does not represent a quality defect. Static properties of the equipment are not impaired.

See EN 1176 Bbl 1:2019-01 4.2.7.6: Dry cracks in wood elements as a consequence of weather conditions are not to be considered as dangerous openings in terms of the standard due to the fact that the shape of the cracks (tapering towards the inside) makes it almost impossible for fingers to get trapped in them.

MAINTENANCE: To ensure a long life of stilum fitness equipment, wooden surfaces should be regularly re-glazed. This provides the wooden surfaces with the necessary protection and preserves the look. Areas which are not exposed to rain should be regularly freed from deposits.

Mounting instructions for „Calisthenics“ robinia

Item-No. 55 1520 602



The cleaning intervals depend on the degree and type of soiling as well as on the exigencies on cleanliness. It is recommended to clean and / or glaze at every 6 to 12 months, or to shorten the cleaning interval to 3 to 6 months if the weather conditions are bad.

LASUR: Use a soft and flat brush or / and a glaze application roll to paint.

The wood should be cleaned a few hours before glazing. That can be done with mild javel water, which should in any case be rubbed off afterwards. For resistant dirt use a wood cleaner. Eventually a light abrasion is necessary. If water-based detergents are used for cleaning, please ensure that the wood elements are thoroughly dried before the glazing is done.

Always brush in one direction, so that the glaze can spread evenly. Apply very thinly!

Remove glaze with a soft cotton cloth.

Then let the freshly glazed wood dry for at least one day and prohibit the use of the equipment for this duration.

General Information DIN 16630:2015-06_4.1:

DIN EN1176 specifies that fitness equipment should not be installed in the immediate vicinity of children's playground equipment. In cases where they are erected in playgrounds or similar establishments near children's playground equipment, they must be separated by adequate distance, fencing or other structural means from the general play zone.

Movement area DIN 16630:2015-06_4.3.14.4

The free space allowed as movement area must be a minimum of 2.2m. The movement area must be clear of fences, and observers should not wait in this space. The space should be free of all objects that the user could fall on and be injured. E.g. injuries could be caused by posts that are not flush with adjacent parts or by protruding footings. In cases where the equipment has a forced movement, the free area must be extended about 0.5m. Where fitness units are installed on or adjacent to a wall which is at least as high as the exercise space, the movement area may be reduced. Movement areas of adjacent equipment may overlap except for equipment with forced movement.