

DATA SHEET SPRINGRIDER ALVA SWING

Text for invitation to tender | Item No: 51 3013 601



MATERIALS | SCOPE OF SUPPLY

Springrider, pre-mounted completely

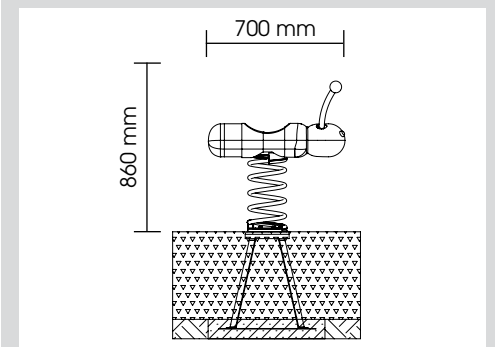
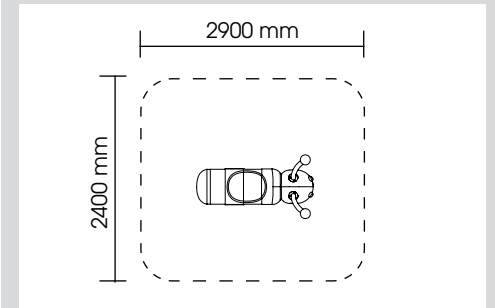
Body:	structural composite lumber, larch, 1 piece
Handles:	stainless steel, V2A, 2 pieces
Tube end caps:	balls made of EPDM caoutchouc, 2 pieces
Spring:	spring steel Ø 20 mm Ø 200 x 400 mm height
Foundation anchor:	galvanized steel

TECHNICAL INFORMATION

Dimensions:

Main dimension:	700 x 390 mm
Height:	780 mm
Weight:	30 kg
Capacity:	acc. to normative requirements
Dimension largest piece:	700 x 500 x 1280 mm
Heaviest piece:	30 kg

Max. fall height:	590 mm
Impact area:	6,10 m ²
Required safety slabs:	7,50 m ²
Required lawn grating:	9,00 m ²
Recommended surface material:	grass, sand, wood chip, gravel, synth. impact protection



INSTALLATION

Foundations: 1
Modified installation depth possible
(special edition)
Installation according to our detailedd moun-
ting instructions, see www.stilum.com

Please note the material information in the mounting- and maintenance instruction.

