

Mounting instructions for toddler element „Marie“

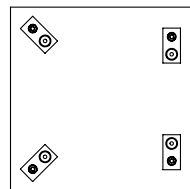
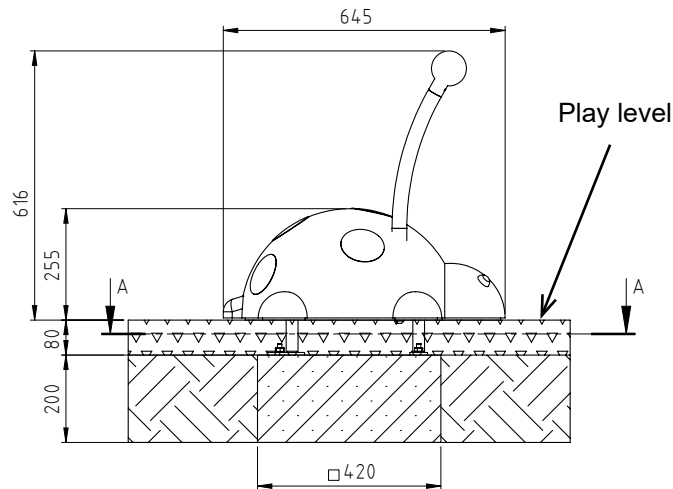
Item-No. 51 5555 401



Diagram 1: Overall view of the play equipment

Mounting instructions for toddler element „Marie“

Item-No. 51 5555 401



A-A

Legende

 stoßdämpfender Boden
shock-absorbing floor

 Beton
concrete

 gewachsenes Erdreich
natural ground

Diagram 2: Foundation plan

1. Select the location of the play equipment taking into account the required minimum space (see diagram 3).
2. Carry out excavation work for the foundation as shown in diagram 2. After excavation compress the foundation floor.
Note: The play equipment is installed at play level.
3. Set up the concrete foundations according to diagram 2 with central, horizontal reinforcement.

Reinforcement plan: Concrete foundation with reinforcement

Main foundation: BSt 500S

Stirrups \varnothing 8 mm lengthwise and cross

Concrete cover $h' = 3$ cm

Concrete quality class C20/25

4. After a setting period of 10-14 days, depending on weather conditions and foundation size, fill up and compress the holes between the foundation and the foundation hole with excavation.
5. Clean the foundation surface and place the play equipment on it. Drill holes into the foundation and screw it by using the included heavy-duty dowels.
6. Cover the entire impact area with fall protection according to the required drop height in accordance with EN 1176-1.
Critical drop height: 300mm
Recommended surface material: grass, sand, wood chip, gravel, synth. impact protection.
7. Do not allow children to use the equipment before the installation has been finished.

Mounting instructions for toddler element „Marie“

Item-No. 51 5555 401

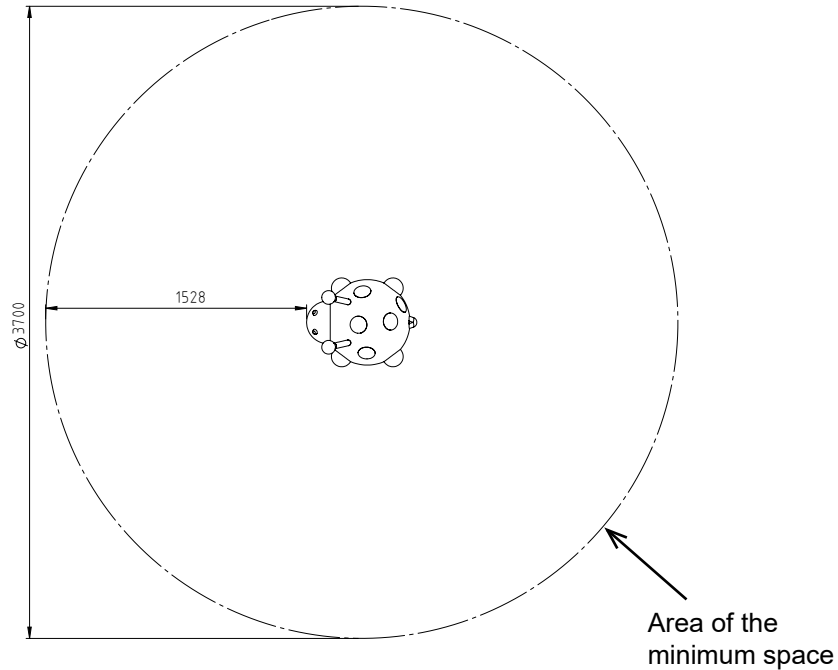


Diagram 3: Top view

Attention: If the play equipment has been incompletely installed or partly dismantled when carrying out maintenance and repair work, this may lead to particular risks of injury for the user. For this reason, make clearly visible that the equipment shall not be used in such cases.

NOTE: Play equipment, which contain components made of stainless steel should not come with „normal“ steel parts in contact. Those steel parts may rub off and leave small steel particles in combination with moisture brown rust stains. If such corrosion occur on stainless steel parts, they are fine with an abrasive (240 grit) to remove.

Please take care when transporting and setting up the fact that the components are made of stainless steel with no „normal“ steel parts in contact.